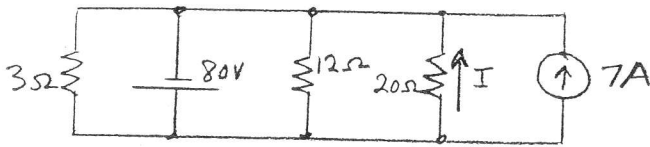


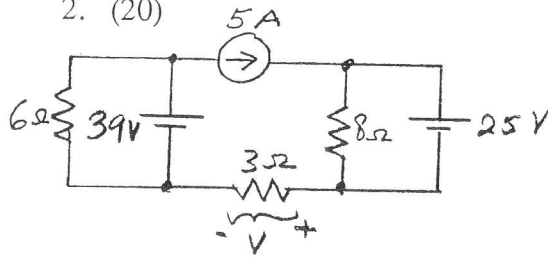
HINT: All the answers are integers.

1. (20)



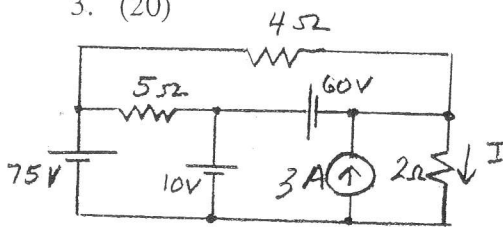
I = _____

2. (20)



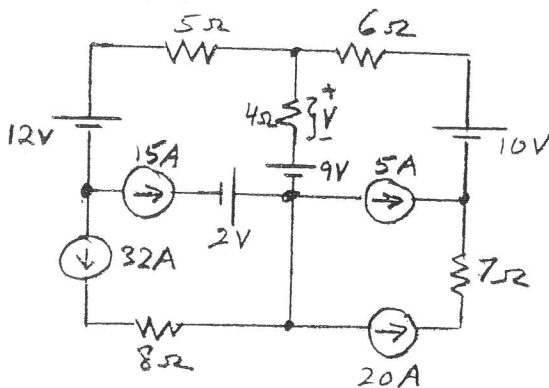
V = _____

3. (20)



I = _____

4. (20)



V = _____

5. (20)

A total of 180 coulombs flows (at a constant rate) through a battery in one minute. a) What is the current in the battery? b) How many electrons went through the battery in one minute?